

BALL VALVE: 3-PIECE THREADED

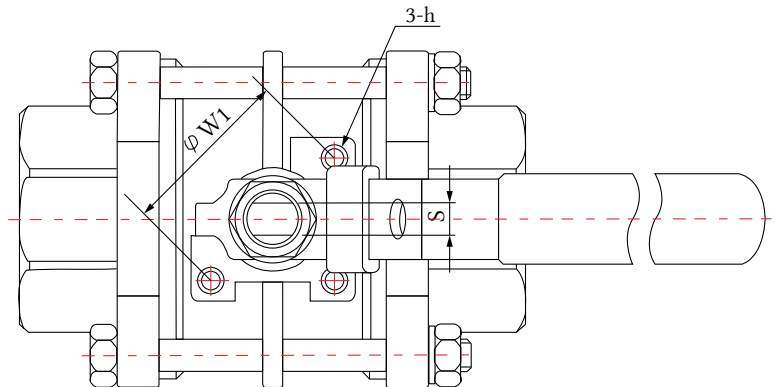
Stainless Steel

FEATURES

- ◆ Full port 1000WOG ball valve
- ◆ Steam rating: 150PSI WSP
- ◆ Blow-out-proof stem
- ◆ ISO 5211 actuator mounting pad
- ◆ Body: ASTM A351 CF8M
- ◆ Ball: ASTM A351 CF8M
- ◆ Stem: ASTM A276 316SS
- ◆ Adjustable stem packing
- ◆ Seat: reinforced teflon (RTFE)
- ◆ Working pressure: 1000PSI
- ◆ Temperature range: -58°F to 450°F (-50°C to 232°C)
- ◆ Test standard: API 598
- ◆ Padlocking device
- ◆ Open/close position indicator

OPTION

- ◆ Socket weld ends
- ◆ Butt weld ends



BALL VALVE: 3-PIECE THREADED

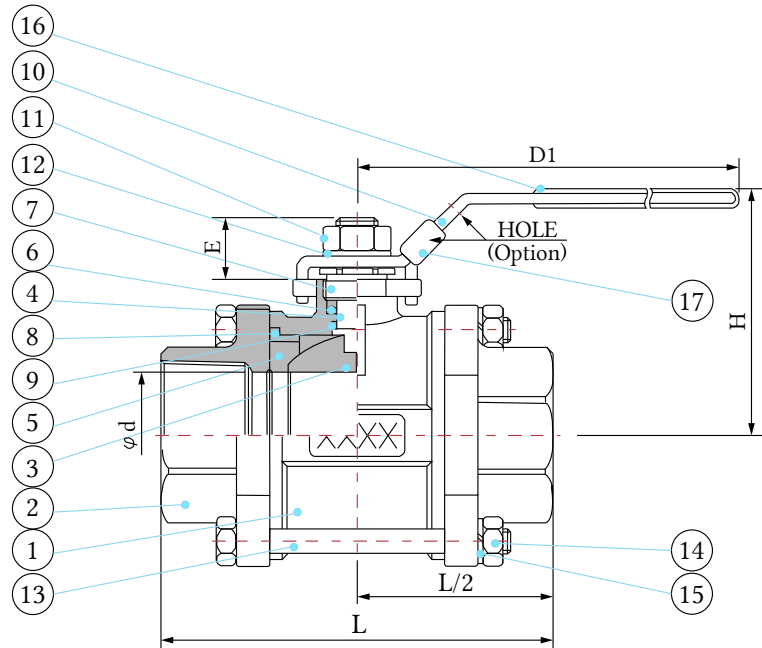
Stainless Steel

DIMENSIONS														
SIZE	A	B	C	D	E	d	L	D1	H	S	W1	h	Cv	WT
¼"	10	18.1	22.8	14.1	15.5	11	65	103	54	5.45	36	M5	16	0.48
⅜"	10	18.1	22.8	17.6	15.5	12.5	65	103	54	5.45	36	M5	16	0.46
½"	10	22.5	26.8	21.7	15.5	15	71	103	57	5.45	36	M5	26	0.58
¾"	13	28.3	34.6	27.1	19.5	20	85	127	67.1	6.2	36	M5	55	0.92
1"	13	35.0	39.5	33.8	19.5	25.4	95	127	70	6.2	36	M5	110	1.19
1 ¼"	13	44.1	49.0	42.6	25.5	32	111	153	91.1	9.4	50	M6	180	2.07
1 ½"	13	50	55.8	48.7	26.5	40	121	153	95.1	9.4	50	M6	270	2.75
2"	16	60.5	68	61.1	25.5	50.8	140	193	102	9.4	50	M6	500	4.07
2 ½"	16	77.8	88	73.8	39.5	65	173	279	120.8	12	70	M8	800	8.12
3"	16	89.1	105	89.8	37.5	80	192	279	129	12	102	M10	1150	12.71
4"	19	114.3	129.5	115.5	49.5	100	225	335	173.7	16	102	M10	2120	21.12

* All dimensions recorded in millimeters

MATERIALS LIST

No	PART	MATERIAL	QTY
1	BODY	ASTM A351 CF8M	1
2	CAP	ASTM A351 CF8M	2
3	BALL	ASTM A351 CF8M	1
4	STEM	ASTM A276 316SS	1
5	SEAT	RTFE (+15% GF)	2
6	PACKING	PTFE	1
7	GLAND	304SS	1
8	END SEALS	PTFE	2
9	THRUST WASHER	PTFE	1
10	HANDLE	304SS	1
11	HANDLE NUT	304SS	1
12	SPRING WASHER	304SS	1
13	BOLTS	ASTM A193 B8	4-6
14	BOLT NUTS	ASTM A194 8	4-6
15	BOLT WASHERS	304SS	4-6
16	HANDLE SLEEVE	PLASTIC	1
17	LOCKING DEVICE	304SS	1



THERMOFLEX

Thermoflex 2136 Rue Léger, LaSalle, Québec, H8N 2L8, Canada

1-888-352-3414 514-367-1444 514-367-3193

thermoflex@bellnet.ca thermoflex.ca